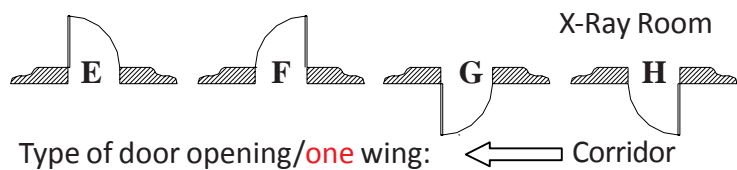


LEAD SHIELDED DOORS



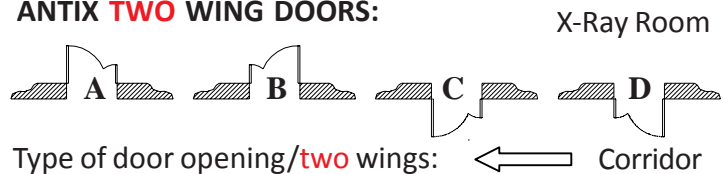
Standard dimensions of a **one** wing door:
NET DOOR CLEARANCE cm
 (width x height cm)
 60x210
 70x210
 80x210
 90x210

ANTIX **ONE** WING DOORS:

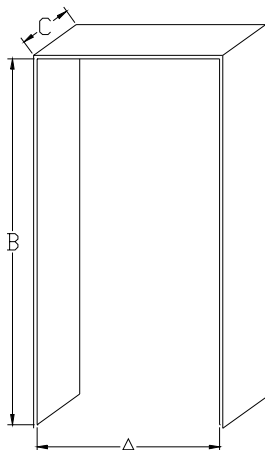


Standard dimensions of a **two** wing door:
NET DOOR CLEARANCE cm
 (width x height cm)
 100x210
 110x210
 120x210
 130x210
 140x210

ANTIX **TWO** WING DOORS:



drawing: C - to be indicated!

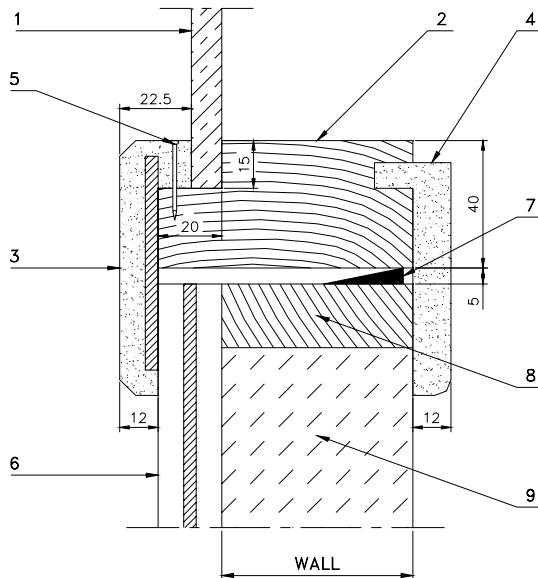


ANTIX WING DOORS:

Constructed from hard-wood lead lined box panels (Tittle 99.9%) calibrated and brushed. Both door sides are coated in a hard wearing plastic laminate leaded to provide overlapping shielding with wall panels. Perimetral edge coating with profiles of extruded aluminium. Each door is equipped with locking handles, strong hinges and finished to the highest standards. Our standard lead shielding is 2mm, other's on request.

Standard width of the jambs 16,0 cm with the possibility of extension, depending on the thickness of the wall (drawing: C - mandatory to be indicated!) For wall thicknesses from 16,1 - 40,0 cm: surcharge for extension jambs

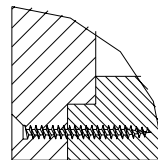
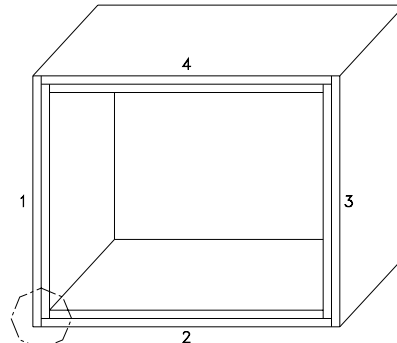
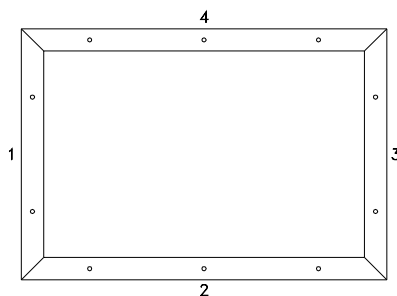
MOUNTING INSTRUCTIONS:



- 1 LEAD GLASS / *CRISTAL ANTIX*
- 2 SUPPORTING LEAD-GLASS BOX / *CAISSON QUI SOUTIENNES LE CRISTAL*
- 3 LEAD FRAME DIAGNOSTIC SIDE / *CADRE-OUTE DIAGNOSE*
- 4 FRAME CONTROL SIDE / *CADRE-OUTE COMMANDE*
- 5 FIXING RIVET / *CLOU DE FIXAGE*
- 6 LEAD PANEL / *PANNEAU ANTIX OU EST PRESENT*
- 7 WEDGE / *COIN OU EPAISSEUR*
- 8 WOODEN BOX MAXIMUM THICKNESS cm 2 / *FAUX CEDRE EPAISSEUR MAX. cm 2*
- 9 MANSORY WALL OR SIMILAR (THICKNESS MUST BE PRECISELY INDICATED) / *PARIEN MAOUNNERIE OU AUTRE (IL FAUT INDIQUER L'EPAISSEUR AVEC PRECISION)*

SUPPORTING LEAD-GLASS BOX / *CAISSON QUI SOUTIENNES LE CRISTAL*

FRAME AND COUNTER FRAME / *CADRE ET CONTRE CADRE*



COLENTA LABORTECHNIK
Ges.m.b.H. & Co. KG
Neunkirchner Strasse 117
A-2700 Wiener Neustadt
Tel.: +43-2622-28311-0
Fax: +43-2622-28311-7
E-mail: office@colenta.at
<http://www.colenta.at>

ACI - ART COLENTA
INTERNATIONAL Ltd.
Forge Close, Little End Road,
Eaton Socon, Cambs. UK
Tel. +44-1480-211118
Fax: +44-1480-215236
E-mail: aci@patflaherty.com